

# KUP93 series

## General Purpose 3 to 10 Amp, Multicontact AC or DC Relay

⚡ File E22575

Ⓢ File LR15734

Users should thoroughly review the technical data before selecting a product part number. It is recommended that users also seek out the pertinent approvals files of the agencies/laboratories and review them to ensure the product meets the requirements for a given application.

### Features

- AC coils 24, 120 & 240V 50/60 Hz.; DC 12 & 24VDC.
- Contact arrangement to 3PDT.
- Sockets available for all models.
- Accepted pin pattern for HVAC industry.
- Primarily designed for the HVAC industry.

### Contact Data @ 25°C

**Material:** Fine silver or silver-cadmium oxide.

### Contact Ratings

Material	UL/CSA Ratings	Life Expected
Fine silver	5A @ 28VDC or 240VAC, 80% PF, 1/10 HP @ 120VAC, 1/4 HP @ 240VAC	100,000
Silver-cadmium oxide	10A @ 28VDC or 240VAC, 80% PF, 1/4 HP @ 120VAC, 1/3 HP @ 240VAC 10 FLA, 30 LRA @ 120VAC, 5 FLA, 15 LRA @ 240VAC	100,000
		30,000

### Initial Dielectric Strength

**Between Open Contacts:** 500V rms.  
**Between Adjacent Contacts:** 1,500V rms.  
**Between Contacts and Coil:** 1,500V rms.

### Coil Data @ 25°C

**Nominal Power:**  
**DC Coils:** 1.2 Watts.  
**AC Coils:** 2.7VA.  
**Initial Insulation Resistance:** 100 megohms, min., at 25°C.

### Coil Data

	Nominal Voltage	DC Resistance in Ohms ± 10%*	Must Operate Voltage	Nominal Coil Current (mA)
<b>DC Coils</b>	12	120	9.0	100
	24	472	18.0	51
<b>AC Coils</b>	24	72	20.4	115
	120	1,700	102.0	24
	240	7,200	204.0	12

\*AC coils, ± 15%

### Operate Data @ 25°C

#### Must Operate Voltage:

**DC Coils:** 75% of nominal voltage or less.

**AC Coils:** 85% of nominal voltage or less.

**Operate Time (Excluding Bounce):** 15 milliseconds, typical, at nominal voltage.

#### Release Time (Excluding Bounce):

**DC Coils:** 10 milliseconds, typical, at nominal voltage.

**AC Coils:** 10 milliseconds, typical, at nominal voltage.

### Environmental Data

#### Temperature Range:

##### Storage:

**All Coils:** -45°C to +105°C.

##### Operating:

**DC Coils:** -45°C to +70°C.

**AC Coils:** -45°C to +45°C.

### Mechanical Data

**Termination:** .187" x .020" quick connect.

**Enclosures:** Clear polycarbonate dust cover.

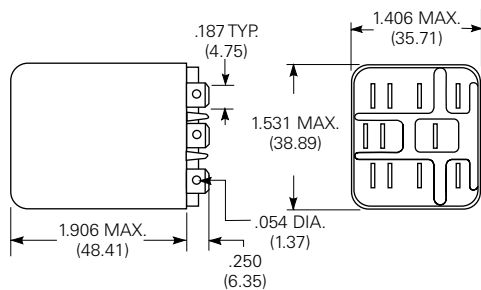
**Weight:** 3.0 oz. (86g) approximately.

Ordering Information

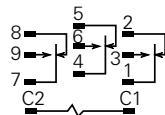
<b>Typical Part No. ▶</b>	<b>KUP93</b>	<b>11</b>	<b>A</b>	<b>2</b>	<b>1</b>	<b>-24</b>
<p><b>1. Type:</b> KUP93 = Enclosed general purpose relay.</p>						
<p><b>2. Contact Arrangement:</b> 14 = 3 Form C (3PDT)</p>						
<p><b>3. Coil Input:</b> A = AC                                      D = DC</p>						
<p><b>4. Mounting:</b> 1 = PLAIN CASE;</p>						
<p><b>5. Terminals, Contact Material &amp; Rating:</b> 1 = .187" (4.75mm) quick connect, silver, 5 amps. 3 = .187" (4.75mm) quick connect, silver-cadmium oxide, 10 amps.</p>						
<p><b>6. Coil Voltage:</b> To 240VAC, 50/60 Hz, or 110VDC.</p>						

**Our authorized distributors are more likely to stock the following items for immediate delivery.**  
No items in this series typically are stocked.

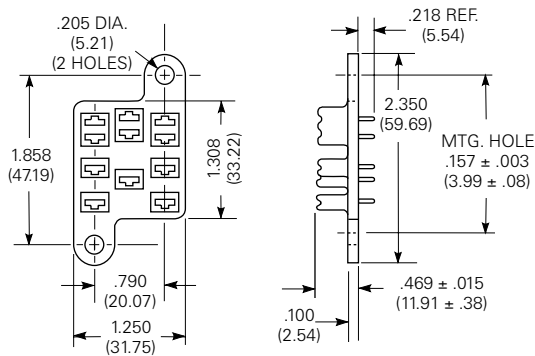
**Outline Dimensions**



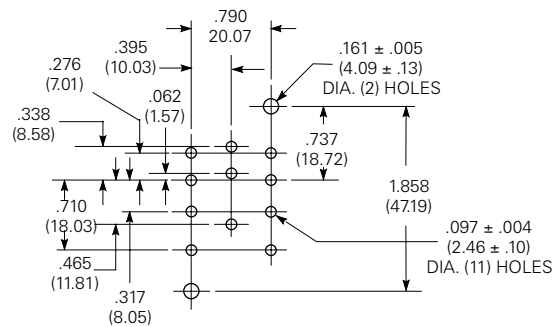
**Wiring Diagrams**  
**3 Form C**



**KUP93 Sockets**



**Socket PC Board Layout (Component Side of Board)**



**KUP93 Socket Number**

Socket Color	P C Socket With Terminals
Natural Nylon	27E168**

\*\*UL Recognized, file E22575

**Socket:** Rated 10 amperes. Will accept .187" (4.75mm) quick-connect terminals of all KUP93 relays.