

Accessories

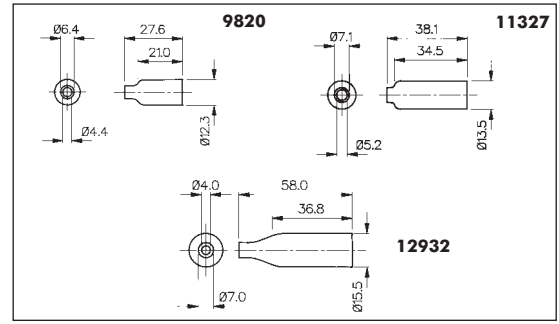
**INSULATION BOOTS**



**PNo. 12932**

- Provide Insulation from Shock on Rear of Fuseholder
- PVC
- UL94V-0 rated flame retardant material

**PNo. 9820**      **PNo. 11327**

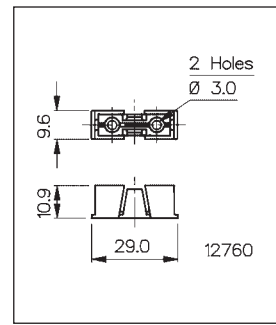


**INSULATION COVER**



**PNo. 12760**

- Provide Insulation from Live Parts on Fuseholder
- Clear
- Polycarbonate



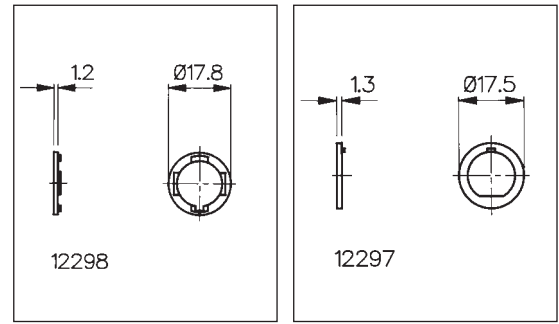
**ADAPTORS**



**PNo. 12297**

- Adaptors to Convert Fixing Holes
- Maintains Anti-Rotation
- Glass Filled Nylon

**PNo. 12298**



Accessories	For Use With:
PNo. 9820 (Boot)	FX0296, FX0296/1, FX0296/S
PNo. 11327 (Boot)	FX0354, FX0354/S, FX0355, FX0355/S, FX0357, FX0359, FX0454, FX0454/S, FX0455, FX0455/S, FX0460, FX0458, FX0367, FX0369
PNo. 12932 (Boot)	FX0415, FX0415/S, FX0416, FX0416/S
PNo. 12760 (Cover)	FX0267, FX0321
Max. Working Voltage:	250V a.c.
Flash Tested to:	2kV a.c.
Material:	PNos. 9820, 11327, 12932: PVC - UL94V-0 PNo. 12760: Polycarbonate
PNo. 12297 (Adaptor Washer)	Adapts "D" fixing to anti-rotation Key Fixing FX0455, FX0455/S, FX0355
PNo. 12298 (Adaptor Washer)	Adapts anti-rotation Keyed Fixing to double "D" hole $\varnothing 16$ FX0454, FX0454/S, FX0354, FX0354/S
Material:	Glass Filled Nylon