

PART NUMBERING CONSTRUCTION

EM7117XX

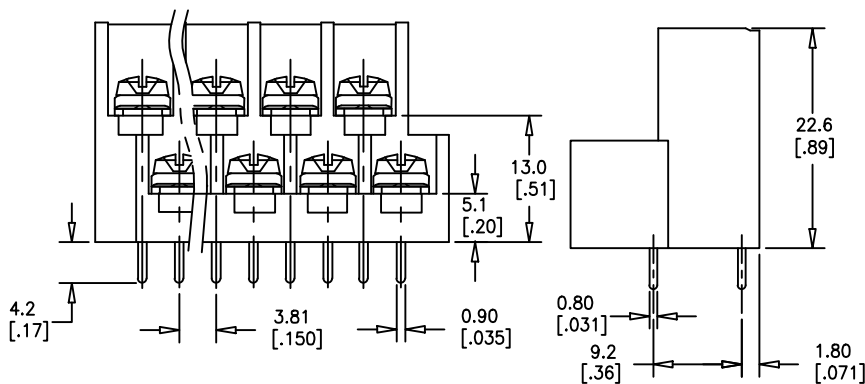
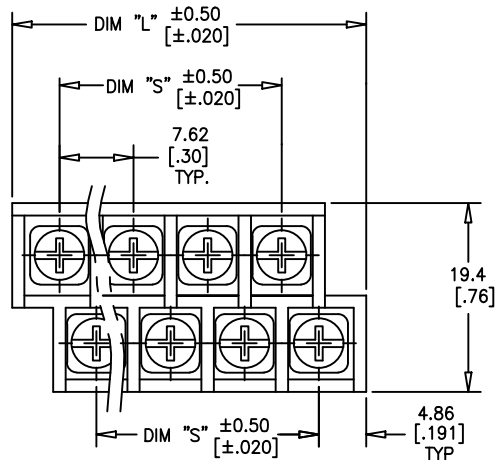
NO. OF POLES (PER ROW)
2 THRU 16

SPECIFICATIONS:

RATING: 15A, 300V
 CENTER SPACING: 3.81/[.150]
 WIRE SIZE: #16-22AWG
 HOUSING MATERIAL: P.B.T.(UL94V-0)
 CONTACT MATERIAL: BRASS, TIN PLATED
 SCREW SIZE: M 3X0 NICKEL PLATED STEEL
 RECOMMENDED PCB HOLE DIAMETERS: 1.33/[.052]
 AGENCY APPROVALS: PENDING

TABLE A

| PART NO. | # POS. | DIM. "L" | DIM. "S" |
|----------|--------|--------------|--------------|
| EM711702 | 2 | 21.2/[.83] | 7.6/[.30] |
| EM711704 | 4 | 36.4/[1.43] | 22.9/[.90] |
| EM711705 | 5 | 44.0/[1.73] | 30.5/[1.20] |
| EM711706 | 6 | 51.6/[2.03] | 38.1/[1.50] |
| EM711707 | 7 | 59.3/[2.33] | 45.7/[1.80] |
| EM711708 | 8 | 66.9/[2.63] | 53.3/[2.10] |
| EM711709 | 9 | 74.5/[2.93] | 61.0/[2.40] |
| EM711710 | 10 | 82.1/[3.23] | 68.6/[2.70] |
| EM711711 | 11 | 89.7/[3.53] | 76.2/[3.00] |
| EM711712 | 12 | 97.4/[3.83] | 83.8/[3.30] |
| EM711713 | 13 | 105.0/[4.13] | 91.4/[3.60] |
| EM711714 | 14 | 112.6/[4.43] | 99.1/[3.90] |
| EM711715 | 15 | 120.2/[4.73] | 106.7/[4.20] |
| EM711716 | 16 | 127.8/[5.03] | 114.3/[4.50] |



PART NO.
EM7117XX-SALES

PLANT DISTRIBUTION CODE
56 U

| | | | | |
|--|--|--|------------------------|--------------------------------|
| TOLERANCES UNLESS OTHERWISE SPECIFIED | | | THIRD ANGLE PROJECTION | DESIGN UNITS Metric/English |
| METRIC 1 PL DEC.=±0.25 2 PL DEC.=±0.13 | ENGLISH 2 PL DEC.=±.01 3 PL DEC.=±.005 | FRACTIONAL TOL ±1/64 IN ANGULAR TOL= ±1° ANGULAR TOL 1PL=±0.5° | | CREATED USING AUTOCAD |
| COPYRIGHT — Cooper Industries, Inc. This is an unpublished work. The disclosure of this work is limited to a select personnel. Further dissemination or disclosure to the public is PROHIBITED. This unpublished work is protected by Federal Copyright Law and all rights thereunder are reserved by Cooper Industries, Inc. | | | | |
| CONFIDENTIAL — The information contained in this document is the property of Cooper Industries, Inc. It is not for public disclosure. Possession of the information does not convey any right to loan, sell or disclose the information. Unauthorized reproduction or use of the information is PROHIBITED. This document is to be returned to Cooper Industries, Inc. upon completion of the purpose for which it is loaned or upon request. | | | | |
| MATERIAL | | | | |
| FINISH | | | | |
| | | | DRAWN BY RF | |
| | | | DATE 11/10/98 | |
| | | | C/F NO. 70708 | SCALE 2:1 |
| TITLE .300" CENTERS DUAL LEVEL PCB BARRIER TERMINAL BLOCKS. | | | | |
| PART NO. EM7117XX-SALES | | | SHT 1 OF 1 | SIZE: B |