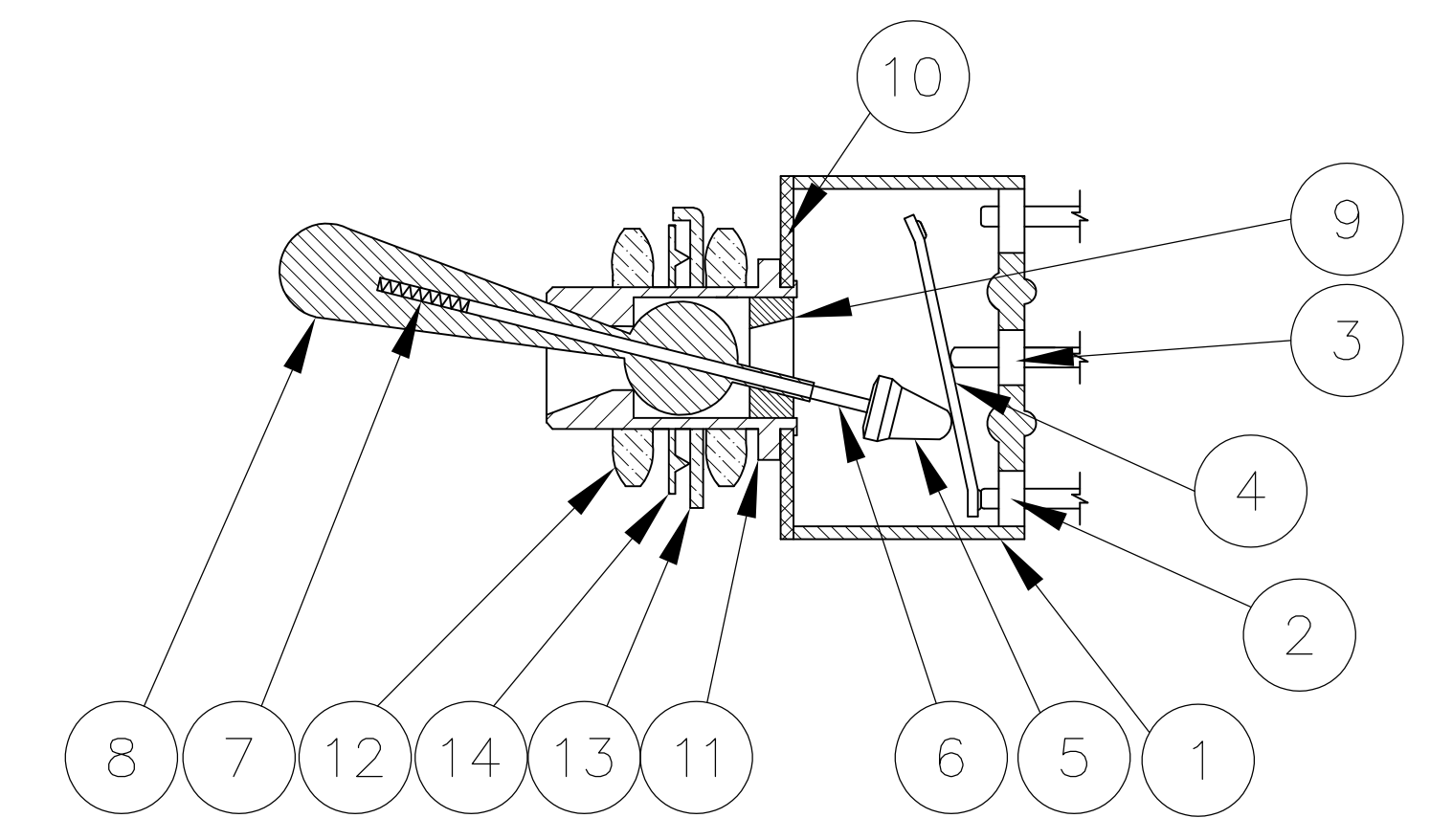


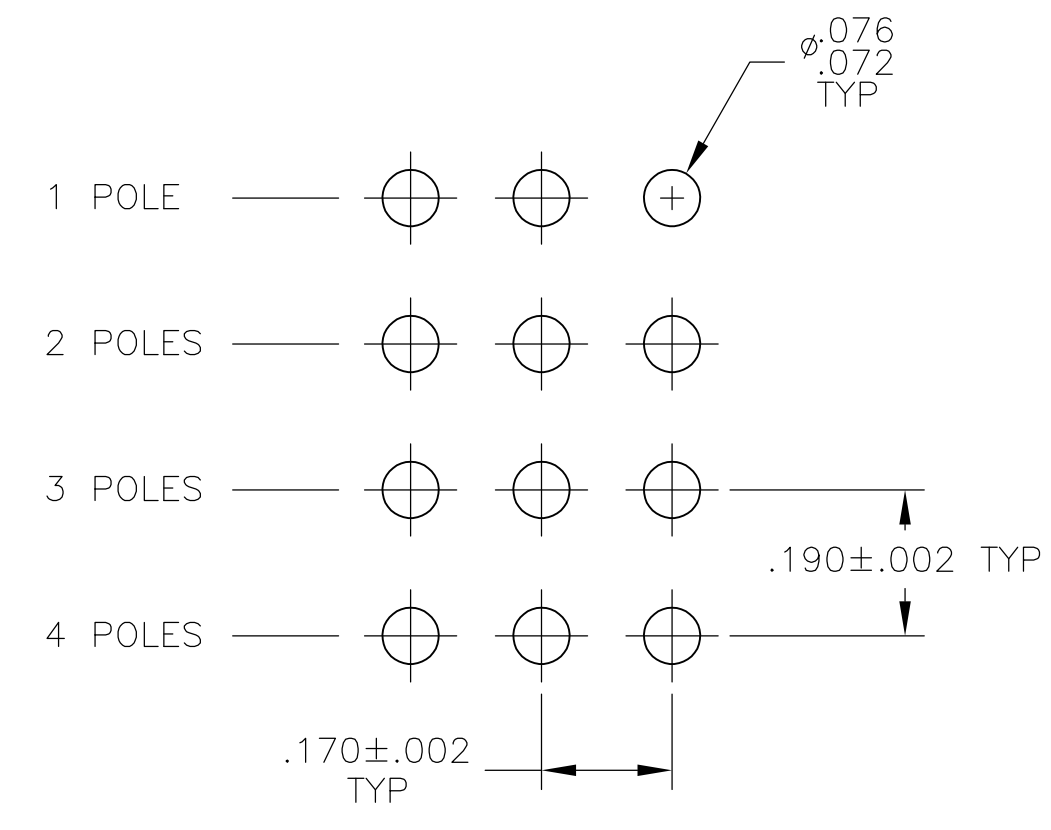
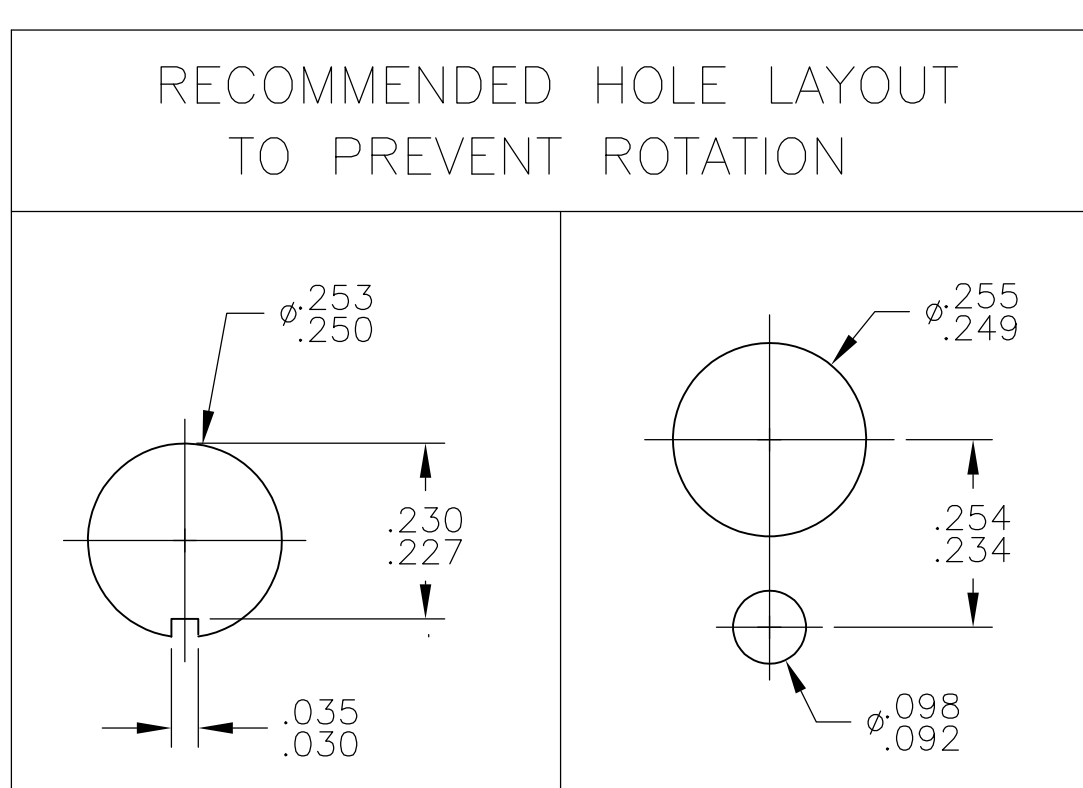
Materials			
No.	Component name	Base material	Finish
1	Housing	ALKYD, GREEN, UL94 V-0	
2	End terminal	silver clad copper alloy	5 microinches min. gold
3	Center terminal	copper alloy	5 microinches min. gold
4	Rocker contact	silver clad copper alloy	5 microinches min. gold
5	Actuator	Phenol resin, UL94 HB, black	
6	Plunger	stainless steel	
7	Spring	music wire	
8	Toggle	brass	100 microinches min. bright nickel, electrodeposited
9	Retainer	Polyamide, UL94 HB, black	
10	Frame	STAINLESS STEEL	PASSIVATED
11	Bushing	Zinc	100 microinches min. nickel electrodeposited over 200 microinches min. copper
12	Mounting nuts (2)	brass	100 microinches min. bright nickel electrodeposited.
13	Locating ring	cold rolled steel	100 microinches min. bright nickel, electrodeposited
14	Internal tooth lockwasher	steel	100 microinches min. bright nickel, electrodeposited

OBSOLETE



NOT TO SCALE

Specifications - see note 3				
Current rating UL & CSA	6A @ 125 VAC (resistive) 3A @ 250 VAC (resistive) 4A @ 28 VDC (resistive)			
Termination resistance	20 milliohms max @ 2-4 VDC, 1A			
Insulation resistance	1,000 megohms min.			
Withstanding voltage	1,000 VAC			
Travel	24 +/- 2 degrees			
Actuation force	.05 to 1.5 kgf			
Operating temperature	-20C to +85C			
Storage temperature	-40C to +85C			
Contact timing	break before make			
Terminal seal	epoxy			
Durability	Parameter	2 Position	3 Position	Momentary
	mechanical (no load)	150,000	100,000	80,000
	250 VAC (3A resistive)	80,000	60,000	60,000
	125 VAC (6A resistive)	80,000	60,000	60,000
	28 VDC (4A resistive)	60,000	50,000	40,000



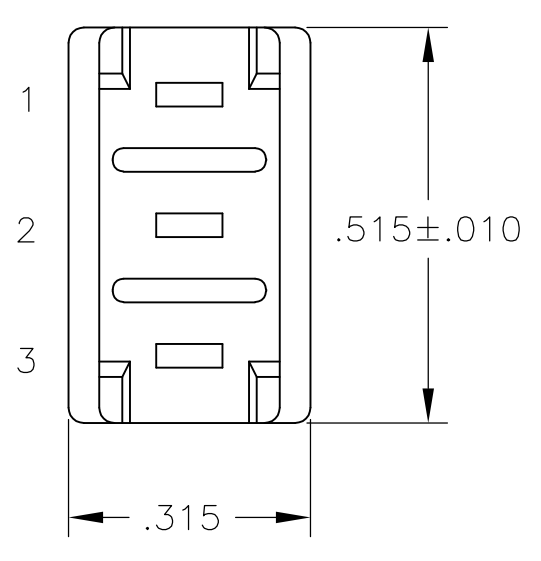
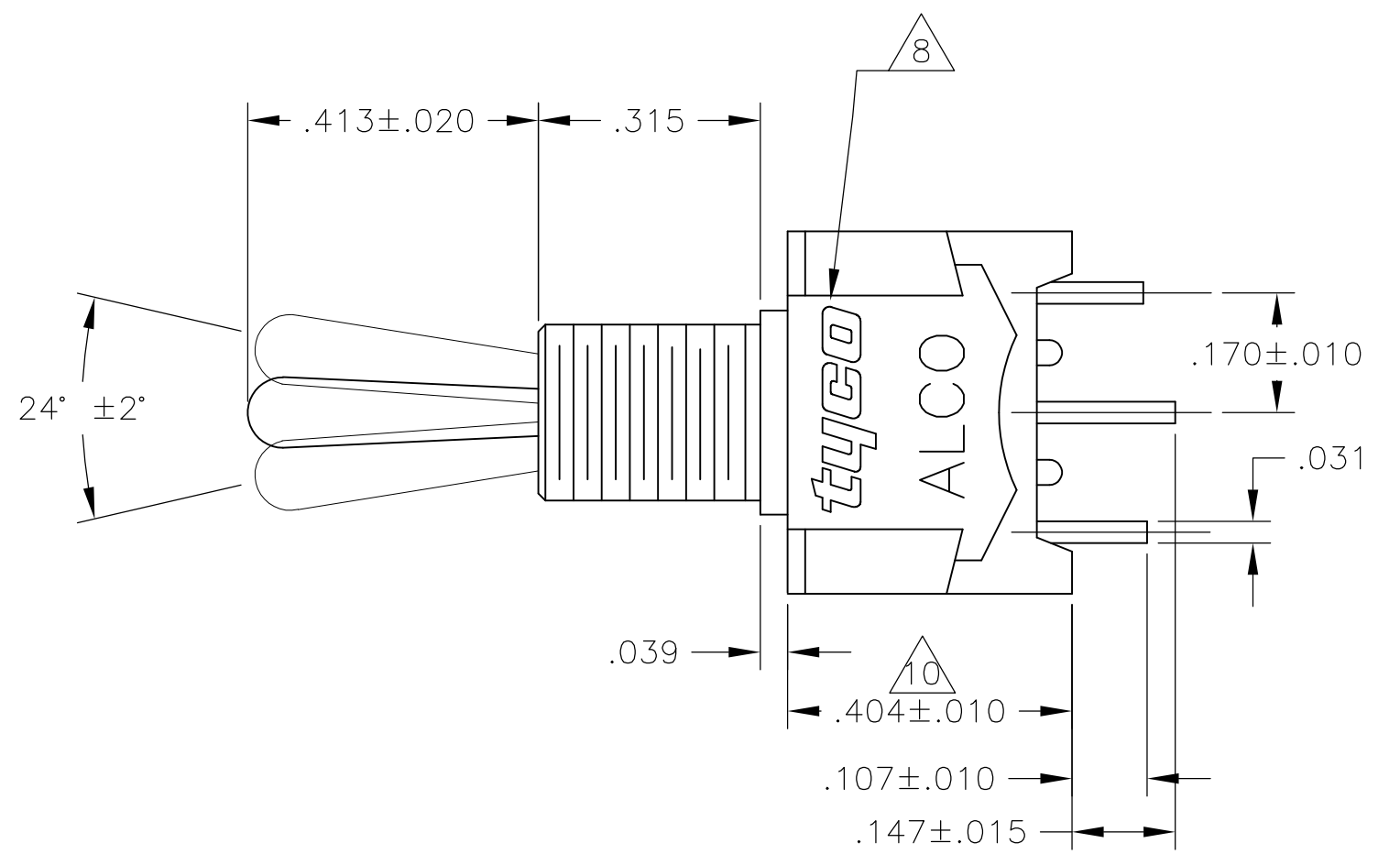
- 1 TERMINAL NUMBERS ARE FOR REFERENCE ONLY AND DO NOT APPEAR ON THE SWITCHES.
- 2 EACH SWITCH SUPPLIED WITH THE FOLLOWING MOUNTING HARDWARE:
 (2) 1/4-40 UNS-2B HEX NUTS
 (1) INTERNAL TOOTH LOCKWASHER
 (1) LOCATING RING
- 3 SWITCHES TESTED TO AND MEET THE REQUIREMENTS OF UL 61058-1A, SWITCHES FOR APPLIANCES SWITCHES WILL ALSO BE TESTED TO AND MEET THE REQUIREMENTS OF TE CONNECTIVITY 102-2469, REV 0, MINIATURE SWITCH QUALIFICATION REQUIREMENTS.
- 4 SWITCHES ARE PENDING UL RECOGNITION TO US AND CANADIAN STANDARDS.
- 5 WIRE LUG CONTACTS WILL ACCEPT 2 #20 AWG SOLID OR STRANDED WIRES.
- 6 CUSTOMER INSTALLED EXTERNAL JUMPER BETWEEN TERMINALS 2 AND 4 REQUIRED FOR 1 POLE 3 THROW FUNCTION.
- 7 CUSTOMER INSTALLED EXTERNAL JUMPERS BETWEEN TERMINALS 2 AND 4 AS WELL AS 8 AND 10 REQUIRED FOR 2 POLE 3 THROW FUNCTION.
- 8 SWITCHES ARE MARKED PER TE CONNECTIVITY SPEC 202-37 WITH ALCO BENEATH LOGO AS SHOWN.
- 9 ALL MATERIALS AND FINISHES SHALL COMPLY WITH EU DIRECTIVE 2002/95/EC OF 27JAN2003 (ROHS).
- 10 CASE LENGTH .512.

PART NUMBER	Alco P/N	Poles	Throws	Function	Terminal	Terminal Diagrams	Comments	
4-1571920-3	MTA406PPC04	4	2	ON OFF ON	PC	2-3, 5-6, 8-9, 11-12		
4-1571920-2	MTA406PAPC04	2	3	ON ON ON	PC	5-6, 11-12	note 7	
4-1571920-1	MTA406PA04	2	3	ON ON ON	Wire lug	5-6, 11-12	note 7	
4-1571920-0	MTA406P04	4	2	ON OFF ON	Wire lug	2-3, 5-6, 8-9, 11-12		
3-1571920-9	MTA406NPC04	4	2	ON ON	PC	2-3, 5-6, 8-9, 11-12		
3-1571920-8	MTA406N04	4	2	ON ON	Wire lug	2-3, 5-6, 8-9, 11-12		
3-1571920-7	MTA306HPC04	3	2	ON OFF(ON)	PC	2-3, 5-6, 8-9		
3-1571920-6	MTA306H04	3	2	ON OFF(ON)	Wire lug	2-3, 5-6, 8-9		
3-1571920-5	MTA306FPC04	3	2	ON (ON)	PC	2-3, 5-6, 8-9		
3-1571920-4	MTA306F04	3	2	ON (ON)	Wire lug	2-3, 5-6, 8-9		
3-1571920-3	MTA306EPC04	3	2	ON OFF ON	PC	2-3, 5-6, 8-9		
3-1571920-2	MTA306E04	3	2	ON OFF ON	Wire lug	2-3, 5-6, 8-9		
3-1571920-1	MTA306DPC04	3	2	ON ON	PC	2-3, 5-6, 8-9		
3-1571920-0	MTA306D04	3	2	ON ON	Wire lug	2-3, 5-6, 8-9		
2-1571920-9	MTA206TPC04	2	2	ON OFF(ON)	PC	2-3, 5-6		
2-1571920-8	MTA206TA04	1	3	ON ON (ON)	Wire lug	5-6	note 6	
2-1571920-7	MTA206T04	2	2	ON OFF(ON)	Wire lug	2-3, 5-6		
2-1571920-6	MTA206SPC04	2	2	(ON) OFF (ON)	PC	2-3, 5-6		
2-1571920-5	MTA206SA04	1	3	(ON) ON (ON)	PC	5-6	note 6	
2-1571920-4	MTA206SA04	1	3	(ON) ON (ON)	Wire lug	5-6	note 6	
2-1571920-3	MTA206S04	2	2	(ON) OFF (ON)	Wire lug	2-3, 5-6		
2-1571920-2	MTA206RPC04	2	2	ON (ON)	PC	2-3, 5-6		
2-1571920-1	MTA206R04	2	2	ON (ON)	Wire lug	2-3, 5-6		
2-1571920-0	MTA206PPC04	2	2	ON OFF ON	PC	2-3, 5-6		
1-1571920-9	MTA206PAPC04	1	3	ON ON ON	PC	5-6	note 6	
1-1571920-8	MTA206PA04	1	3	ON ON ON	Wire lug	5-6	note 6	
1-1571920-7	MTA206P04	2	2	ON OFF ON	Wire lug	2-3, 5-6		
1-1571920-6	MTA206NPC04	2	2	ON ON	PC	2-3, 5-6		
1-1571920-5	MTA206N04	2	2	ON ON	Wire lug	2-3, 5-6		
OBSOLETE	1-1571920-4	MTA206KPC04	2	1	ON OFF	PC	2-3, 5-6	
OBSOLETE	1-1571920-3	MTA206K04	2	1	ON OFF	Wire lug	2-3, 5-6	
1-1571920-2	MTA106HPC04	1	2	ON OFF(ON)	PC	2-3		
1-1571920-1	MTA106H04	1	2	ON OFF(ON)	Wire lug	2-3		
1-1571920-0	MTA106GPC04	1	2	(ON) OFF (ON)	PC	2-3		
1571920-9	MTA106G04	1	2	(ON) OFF (ON)	Wire lug	2-3		
1571920-8	MTA106FPC04	1	2	ON (ON)	PC	2-3		
1571920-7	MTA106F04	1	2	ON (ON)	Wire lug	2-3		
1571920-6	MTA106EPC04	1	2	ON OFF ON	PC	2-3		
1571920-5	MTA106E04	1	2	ON OFF ON	Wire lug	2-3		
1571920-4	MTA106DPC04	1	2	ON ON	PC	2-3		
1571920-3	MTA106D04	1	2	ON ON	Wire lug	2-3		
OBSOLETE	1571920-2	MTA106APC04	1	1	ON OFF	PC	2-3	
OBSOLETE	1571920-1	MTA106A04	1	1	ON OFF	Wire lug	2-3	

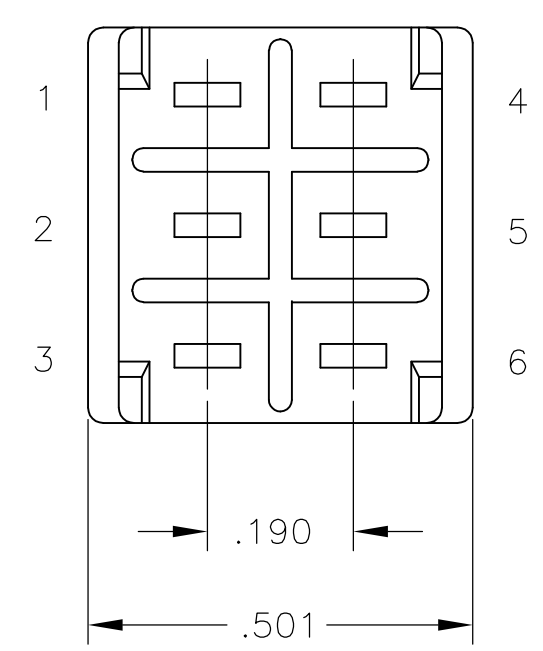
THIS DRAWING IS A CONTROLLED DOCUMENT. DIMENSIONS: INCHES. TOLERANCES UNLESS OTHERWISE SPECIFIED: 0 PLC ± .010, 1 PLC ± .005, 2 PLC ± .005, 3 PLC ± .005, 4 PLC ± .005. MATERIAL: FINISH: WEIGHT: A1 00779 1571920. CUSTOMER DRAWING. SCALE: 4:1. SHEET 1 OF 3. REV A3.

TE Connectivity
 ALCO SWITCH GREEN SERIES TOGGLE SWITCH
 MTA VERTICAL MOUNT

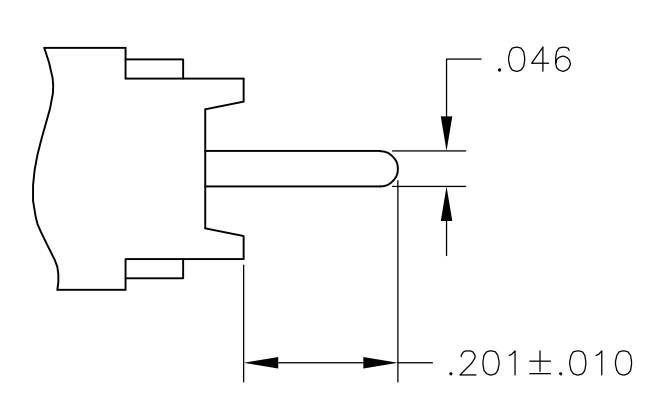
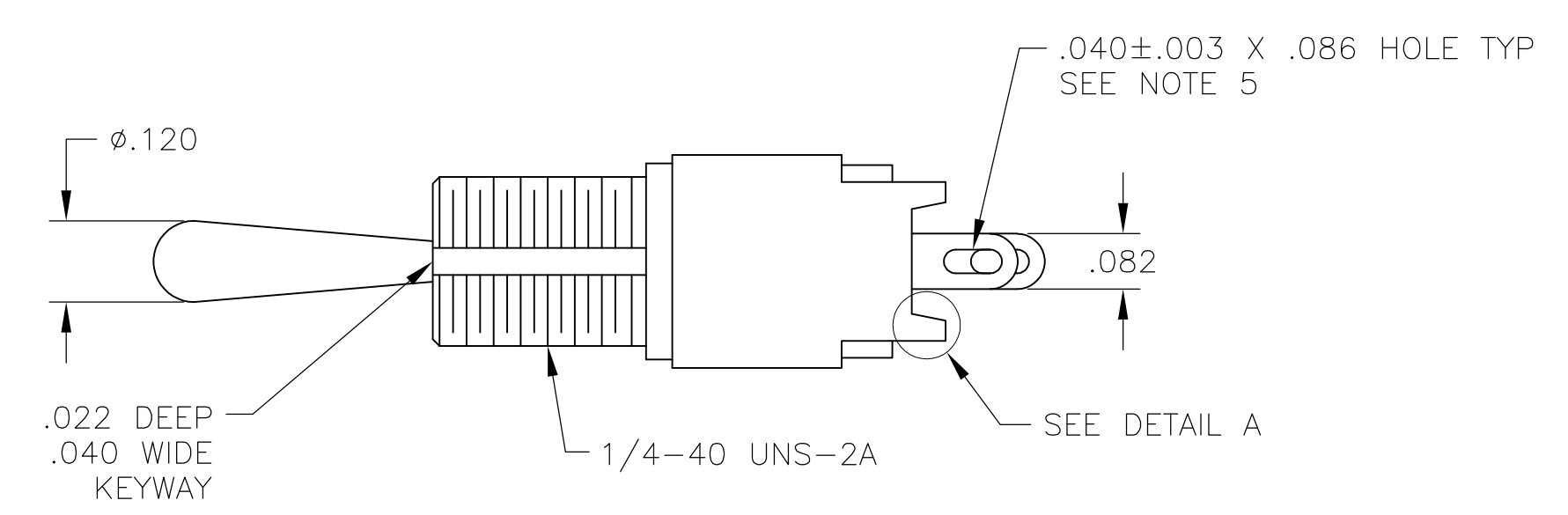
LOC		DIST		REVISIONS				
P	LTR	DATE	DNW	APVD	DESCRIPTION	DATE	DNW	APVD
-	-	-	-	-	SEE SHEET 1	-	-	-



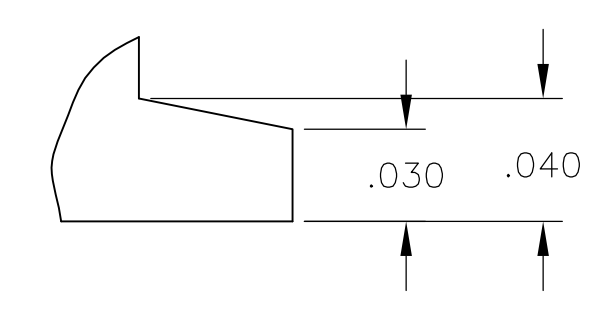
MTA106



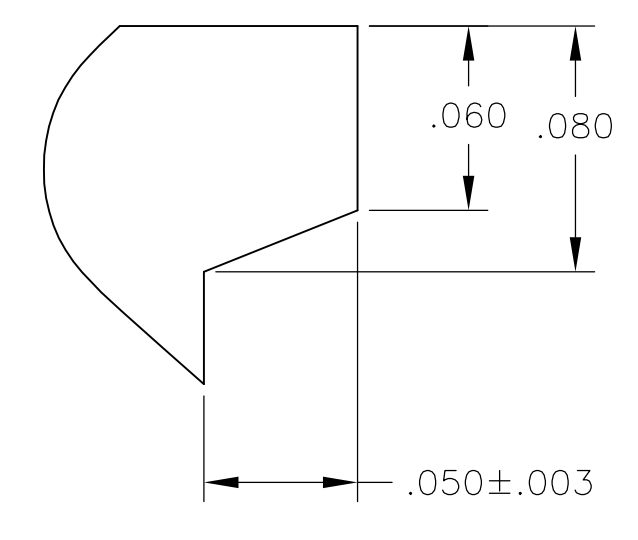
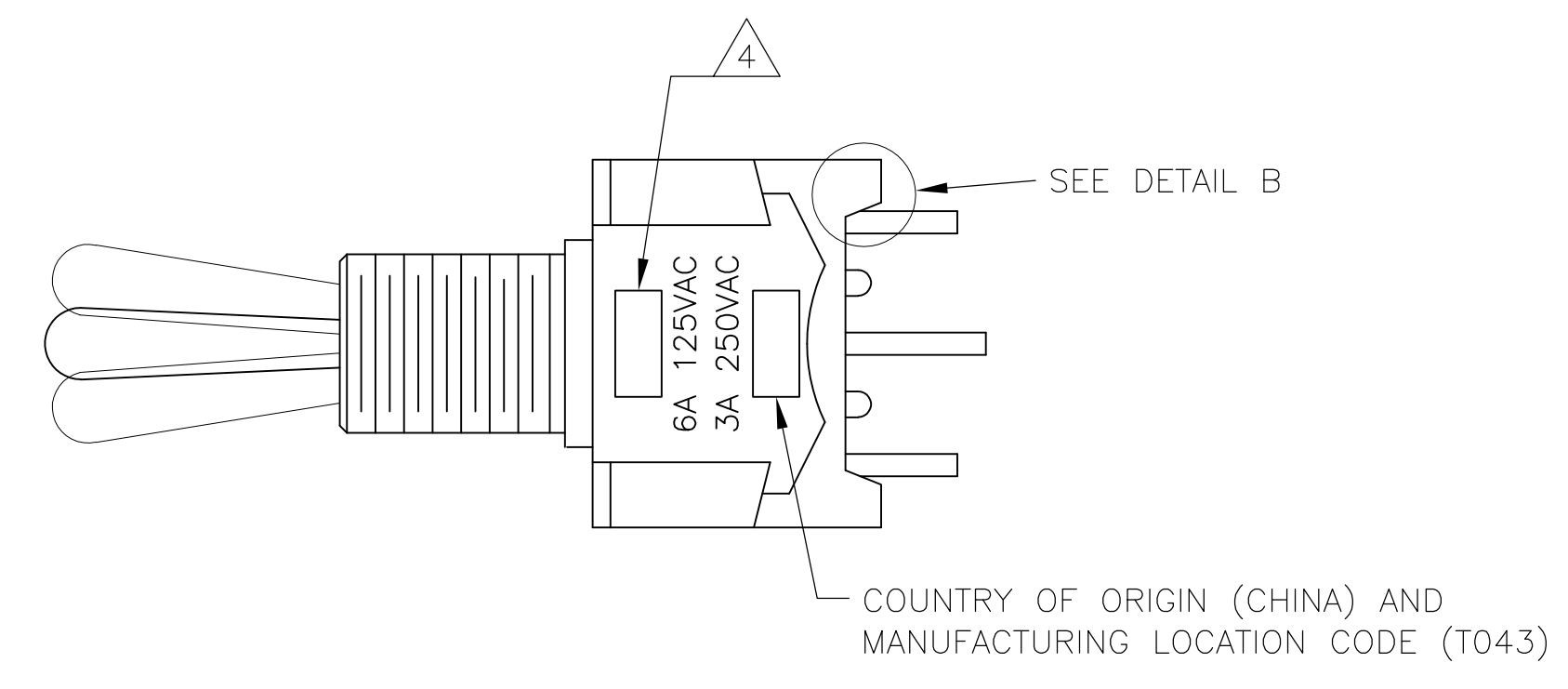
MTA206



PC TERMINAL



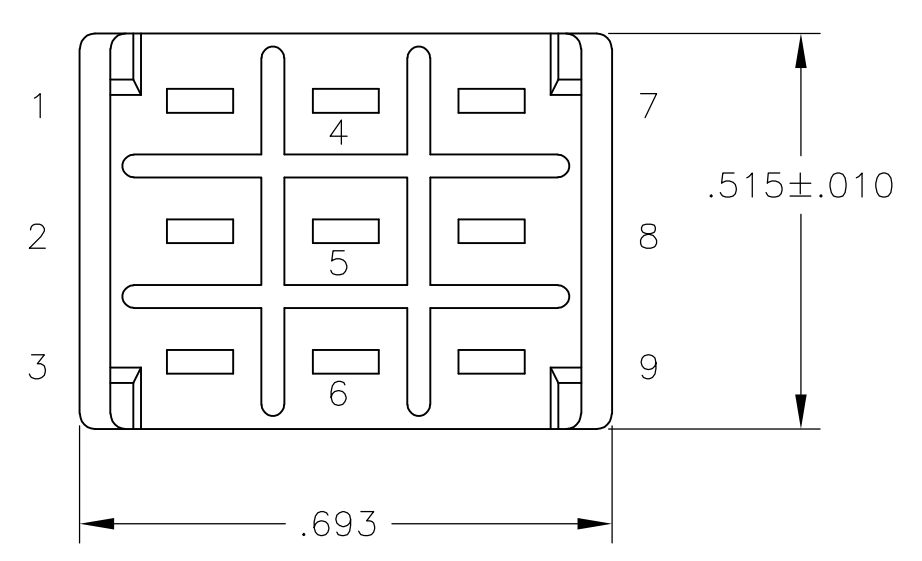
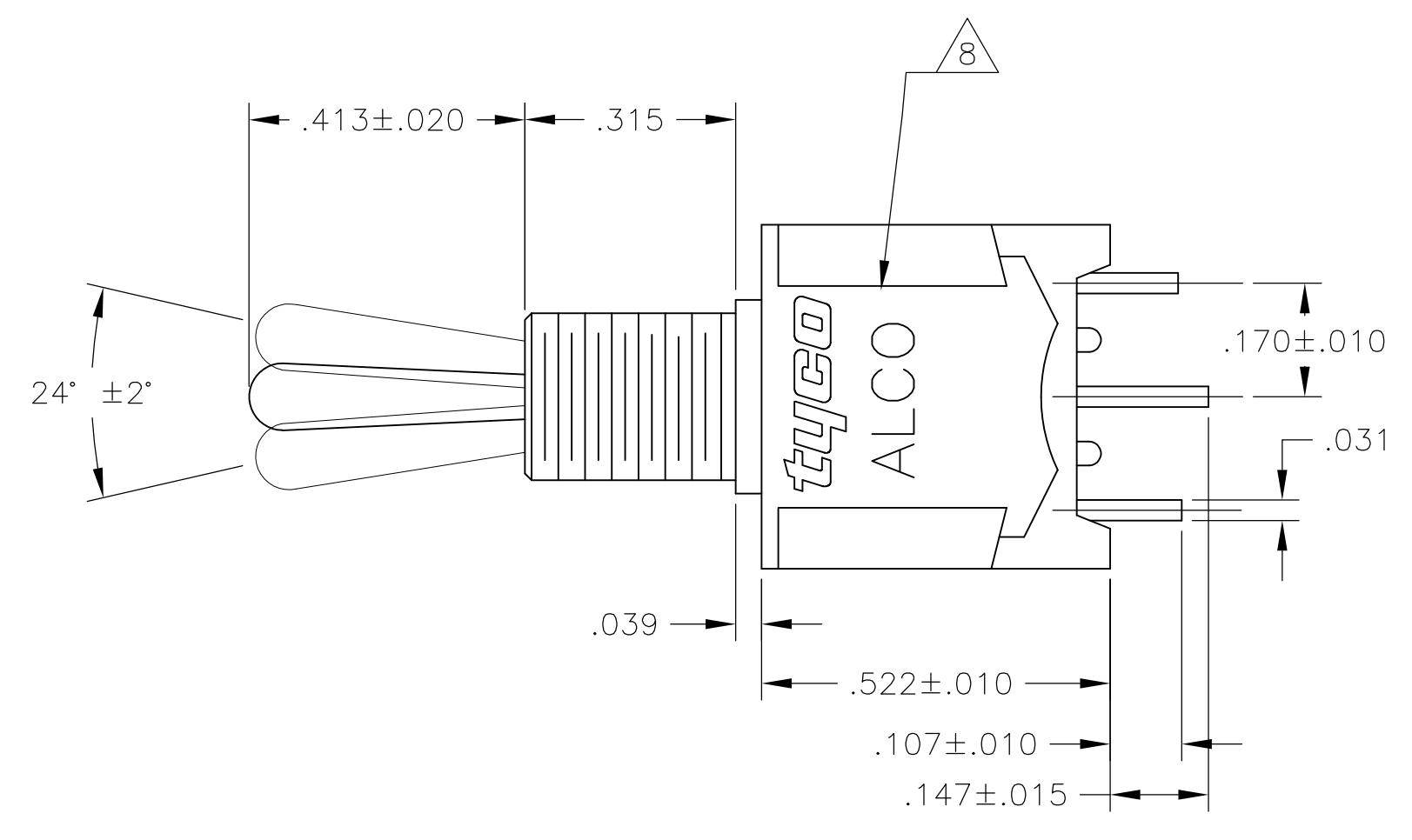
DETAIL A
SCALE 16:1



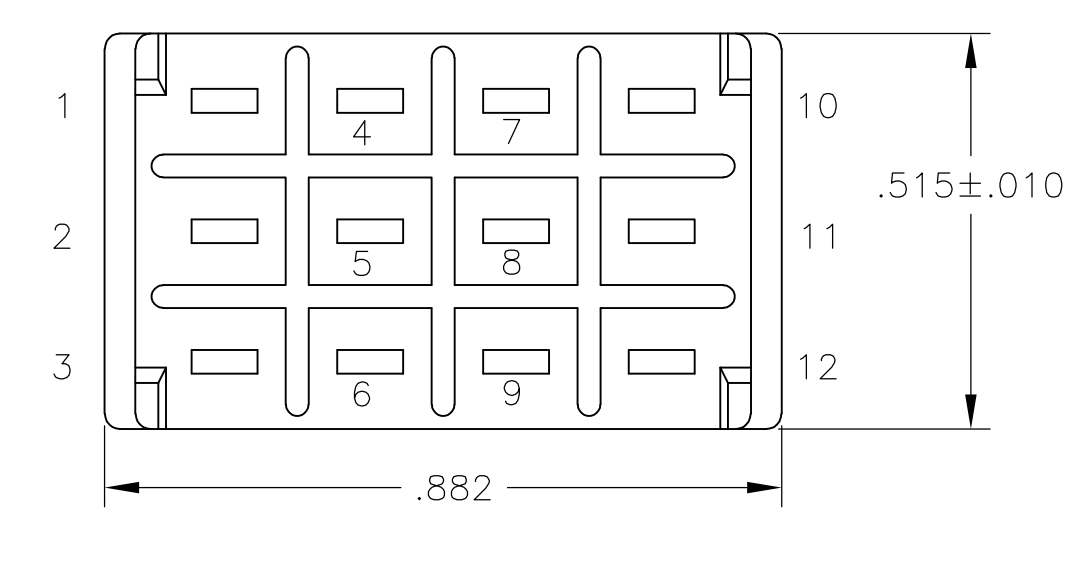
DETAIL B
SCALE 16:1

WIRE LUG TERMINAL

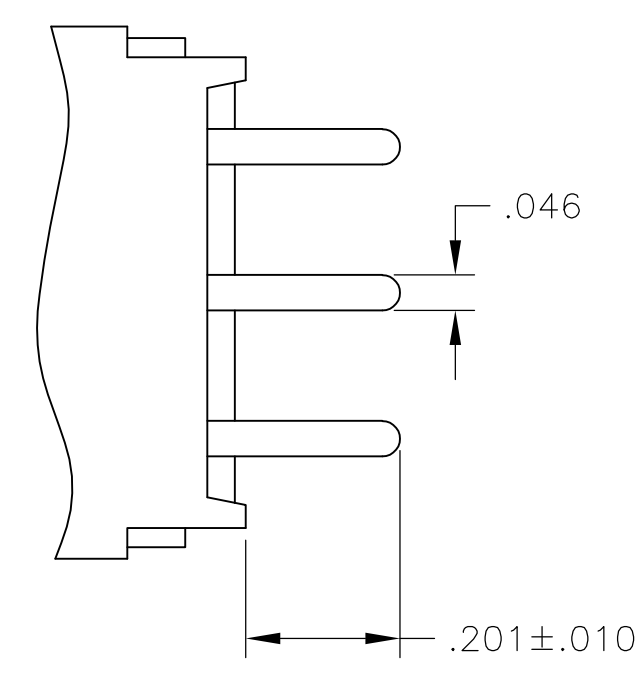
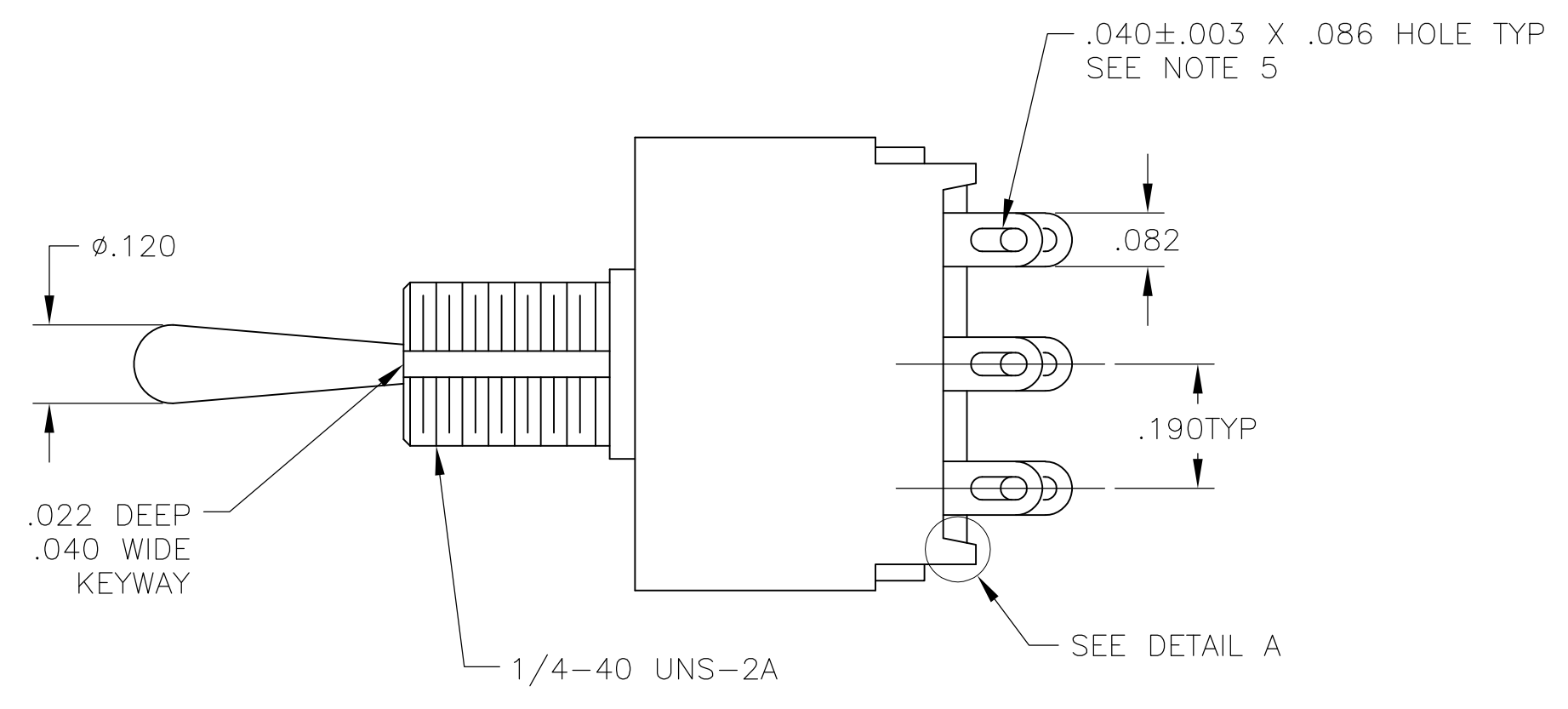
THIS DRAWING IS A CONTROLLED DOCUMENT.		DIN	BSV	02DEC2005	TE Connectivity
DIMENSIONS: INCHES		CHK	-	-	
TOLERANCES UNLESS OTHERWISE SPECIFIED:		APVD	M. ZITTO	29DEC03	NAME
0. PLC	± -	PRODUCT SPEC			ALCOSWITCH GREEN SERIES TOGGLE SWITCH
1. PLC	± -	APPLICATION SPEC			MTA VERTICAL MOUNT
2. PLC	± -	SIZE	A1	CAGE CODE	1571920
3. PLC	± .005	WEIGHT	-	DRAWING NO	1571920
4. PLC	± -	CUSTOMER DRAWING	SCALE	4:1	SHEET
ANGLES	± 1	SHEET		2	OF
MATERIAL		REV		3	A3



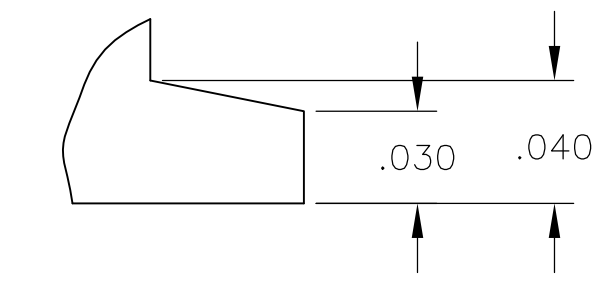
MTA306



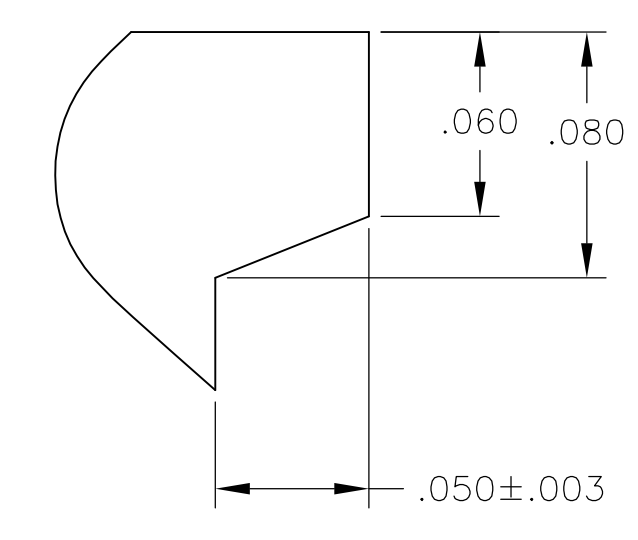
MTA406



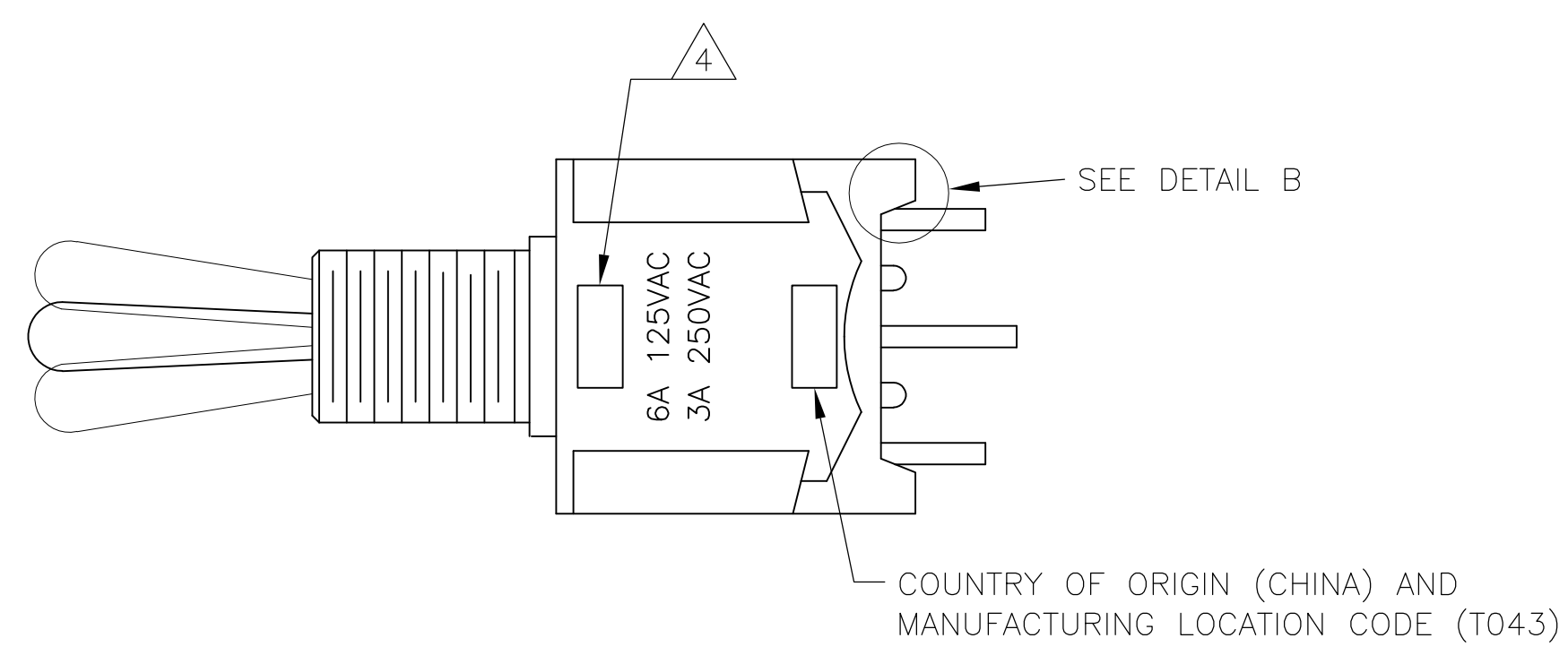
PC TERMINAL



DETAIL A
SCALE 16:1



DETAIL B
SCALE 16:1



WIRE LUG TERMINAL

COUNTRY OF ORIGIN (CHINA) AND MANUFACTURING LOCATION CODE (T043)

THIS DRAWING IS A CONTROLLED DOCUMENT.		DWG: BSV	02DEC2005		
DIMENSIONS: INCHES		TOLERANCES UNLESS OTHERWISE SPECIFIED:	CHK: -		
		0 PLC ± -	APVD: M. ZITTO	29DEC03	NAME: ALCOSWITCH GREEN SERIES TOGGLE SWITCH MTA VERTICAL MOUNT
MATERIAL: -		FINISH: -	APPLICATION SPEC: -		RESTRICTED TO: -
CUSTOMER DRAWING		SCALE: 4:1	SHEET: 3 OF 3	REV: A3	