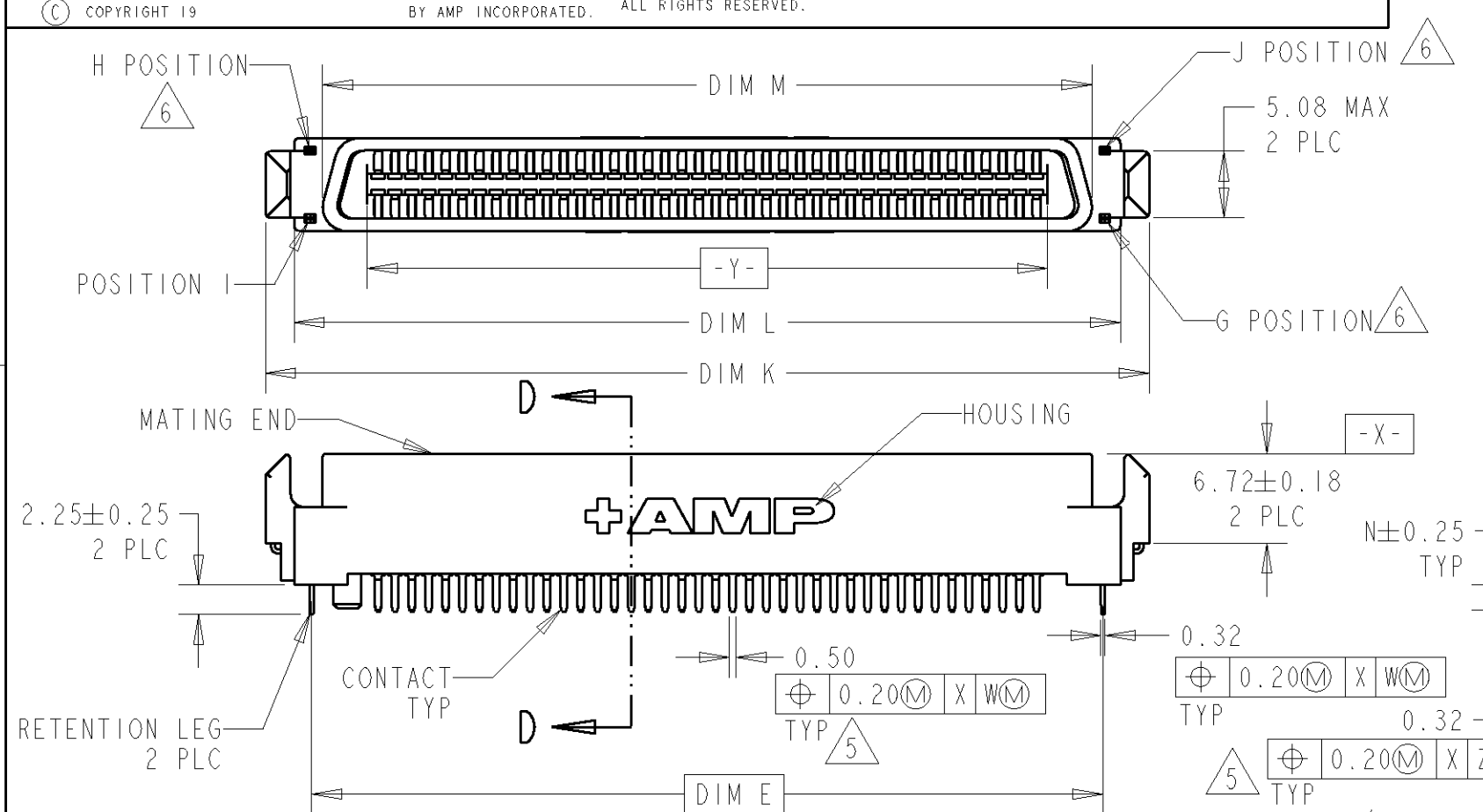
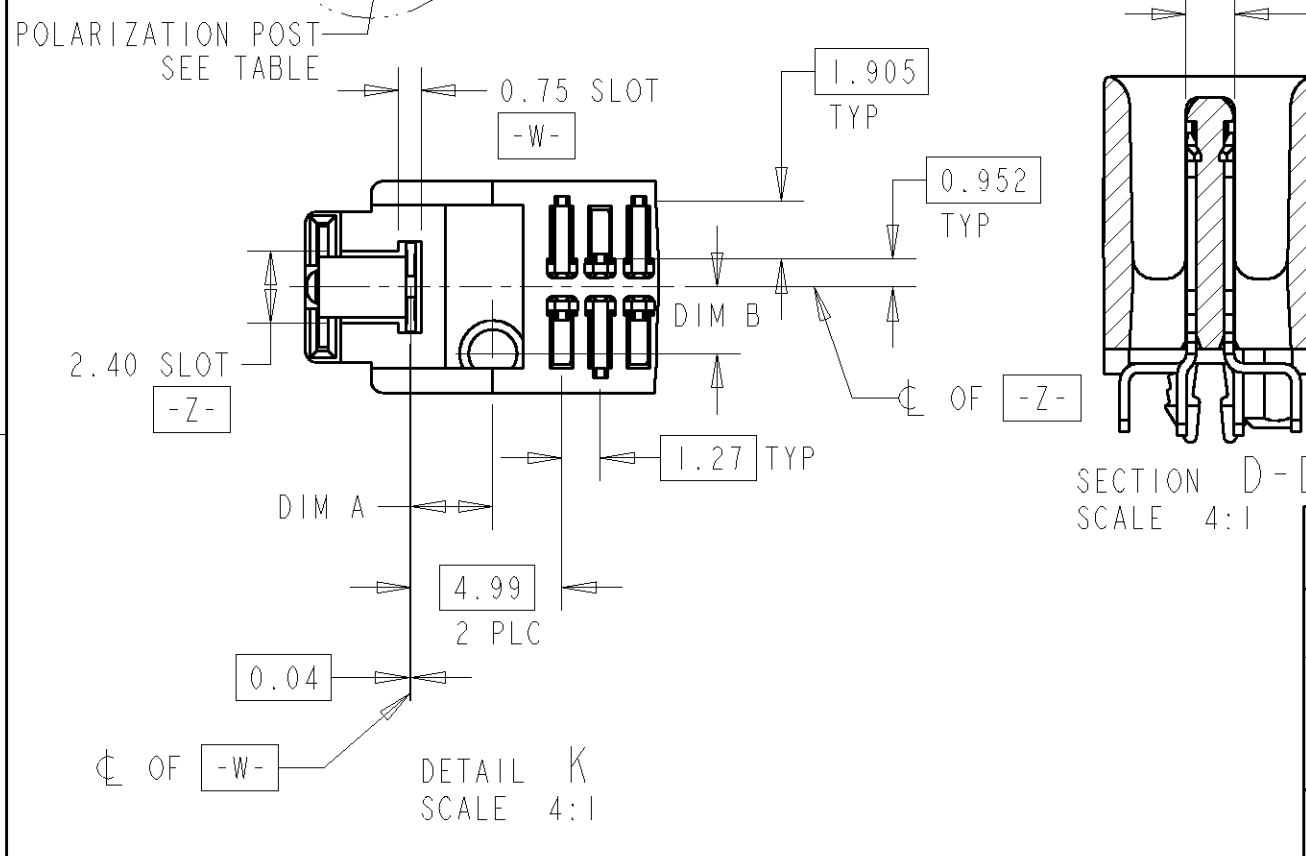
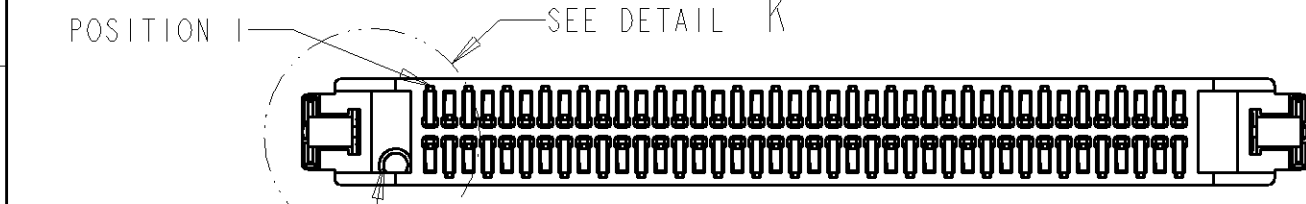
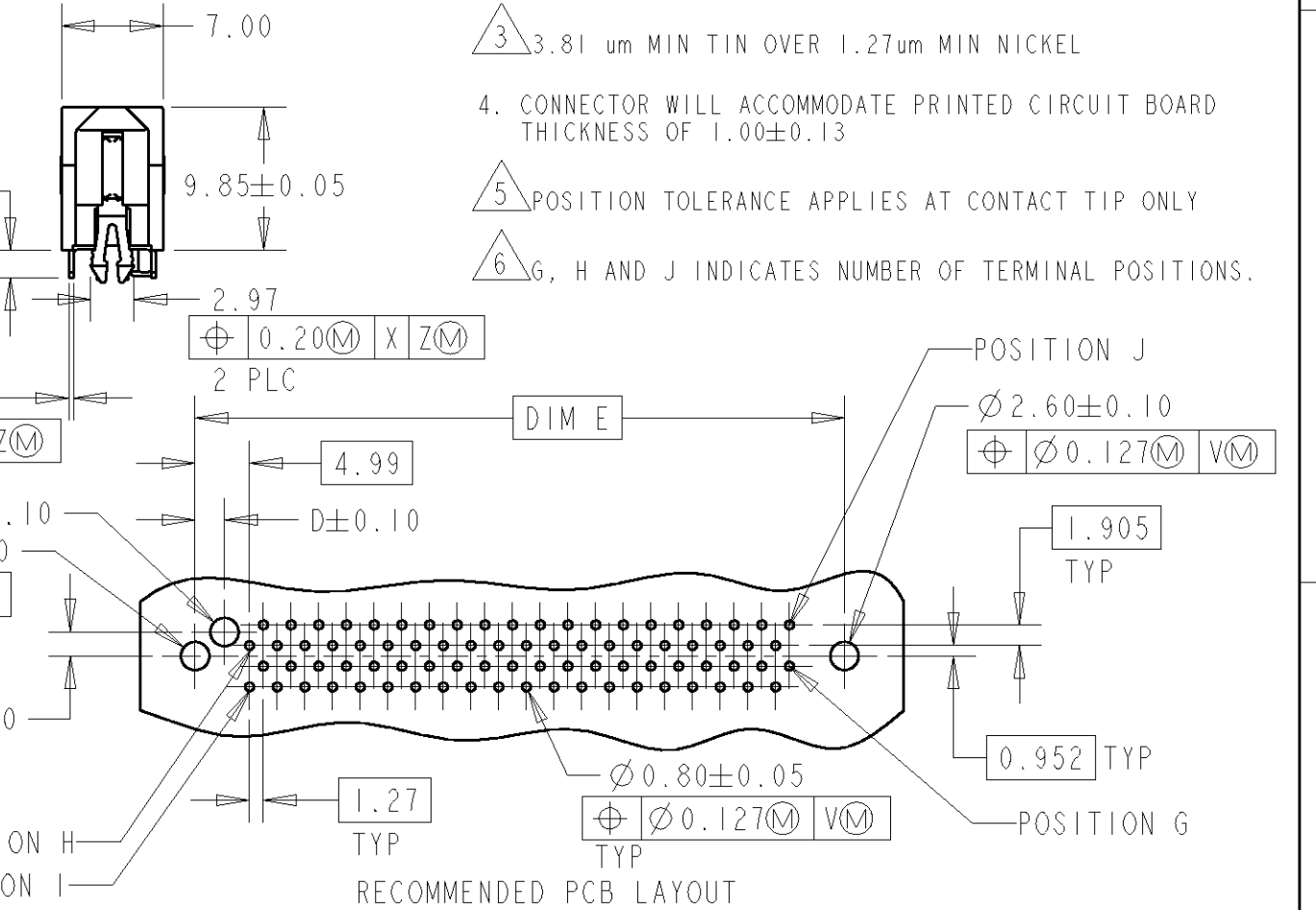


LOC	DIST	REVISIONS					
DY	-	P	LTR	DESCRIPTION	DATE	DWN	APVD
		0	NPR	FP00-0349-04	19JAN05	LWY	VT



- 1 HOUSING: LCP, UL 94V-0 RATED, BLACK
CONTACTS: PHOSPHOR BRONZE
RETENTION LEGS: BRASS
- 2 0.76um MIN GOLD FOR A LENGTH 2.00 STARTING 1.00 MAX FROM MATING END, 3.81um MIN TIN FOR A LENGTH OF 2.03 MIN FROM OPPOSITE END, BOTH OVER 1.27um MIN NICKEL
- 3 3.81 um MIN TIN OVER 1.27um MIN NICKEL
- 4. CONNECTOR WILL ACCOMMODATE PRINTED CIRCUIT BOARD THICKNESS OF 1.00±0.13
- 5 POSITION TOLERANCE APPLIES AT CONTACT TIP ONLY
- 6 G, H AND J INDICATES NUMBER OF TERMINAL POSITIONS.



YES	3.18	32.47	36.75	41.10	40	21	20	34.11	2.70	2.20	2.20	2.70	40	5084488-6
YES	3.18	57.87	62.15	66.50	80	41	40	59.51	2.70	2.20	2.20	2.70	80	5084488-5
YES	1.78	32.47	36.75	41.10	40	21	20	34.11	2.70	2.20	2.20	2.70	40	5084488-3
YES	1.78	57.87	62.15	66.50	80	41	40	59.51	2.70	2.20	2.20	2.70	80	5084488-1
POST REF	N	M	L	K	J	H	G	E	D	C	B	A	POS.	PART NO.

THIS DRAWING IS A CONTROLLED DOCUMENT FOR AMP INCORPORATED. IT IS SUBJECT TO CHANGE AND THE CONTROLLING ENGINEERING ORGANIZATION SHOULD BE CONTACTED FOR THE LATEST REVISION.		DWN WYLEE 19JAN05 CHK VINCENT TAN APVD SF L FONG PRODUCT SPEC 108-1548 APPLICATION SPEC 114-6061 WEIGHT -		tyco Tyco Electronics Electronics Singapore Pte. Ltd.	
DIMENSIONS: mm 		TOLERANCES UNLESS OTHERWISE SPECIFIED: 0 PLC ± 1 PLC ± 2 PLC ±0.15 3 PLC ± 4 PLC ± ANGLES ±1°		NAME PLUG ASSEMBLY, VERTICAL, CHAMP BLINDMATE .050 SERIES I	
MATERIAL 1		FINISH 2 3		SIZE A3 CAGE CODE 00779 DRAWING NO C-5084488	
CUSTOMER DRAWING				SCALE 2:1 SHEET 1 OF 1 REV 0	